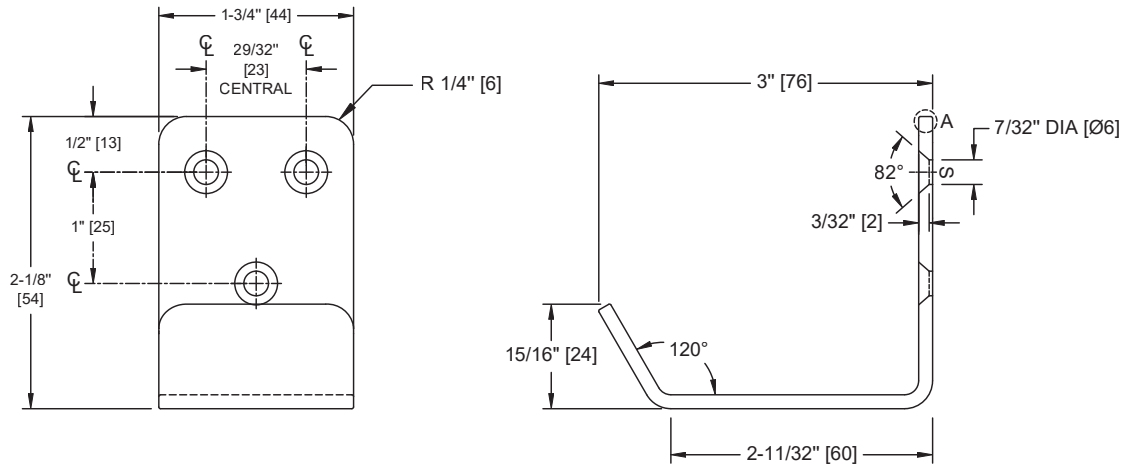


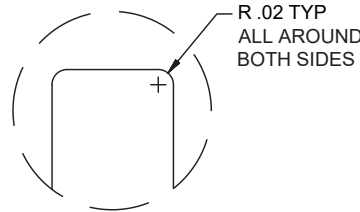
Hands Free Arm Grip Door Pull

Specialty Accessories

MasterFormat Section 10 28 13



Scan for Information



SUSTAINABILITY/LEED

MR 4.1 (1) MR 6 (1) EQ 4.2 (1)
MR 4.2 (1) EQ 4.1 (1) EQ 4.4 (1)

NOTE:
ALL DIM'S INCH [MM]
ILLUSTRATION FOR REF ONLY AND NTS

PRODUCT OVERVIEW

Hands-free arm grip door pull provides an alternative to open doors without having to use hands. Grip is surface mounted with self-threading flat head screws (by others) through holes provided, below or adjacent (with adequate clearance) to conventional knob or lever type door handles on interior passage doors. Unit is installed at standard mid-door height, or no higher than 40" above finished floor for ADA compliance, to allow placing the forearm to pull door open. Constructed of 11 gauge type 304 stainless steel with satin finish and fully deburred edges for user safety. Can be installed retroactively to door installation.

KEY FEATURES & SPECIFICATIONS

- An alternative to open doors without having to touch the handle surface with your bare hands.
- Place forearm in the door pull and open the door using arm strength
- Type 304 Stainless Steel - Satin Finish
- Heavy Duty 11 gauge thickness
- Surface Mounted
- Easy to retroactively mount to existing doors.
- Fits a variety of interior doors including bathroom doors

OPERATION & MAINTENANCE

Hands-free arm grip door pull provides alternative to open doors without having to use hands.

TECHNICAL INFORMATION / PRODUCT PROPERTIES

Property	Value
Dimensions	1-3/4" [44] W x 2-1/8" [54] H x 3" [76] D
Construction	Type 304 Stainless Steel - Satin Finish Heavy Duty 11 gauge thickness
Mounting	Surface Mounted
Capacity	Fits a variety of interior doors including bathroom doors

INSTALLATION

Surface mount unit on door in-swing side using three (3) #10 self-threading Phillips flat-head screws (by others) through holes provided into suitable prepared mountings (by others) or other suitable mounting hardware (by others) to suit door conditions. Grip may be placed below or adjacent (with adequate clearance) to conventional knob or lever type door handles on interior passage doors. Install unit at standard mid-door height (or no higher than 40" [1016] AFF for compliance with 2010 ADA Accessibility Standards and 2015 ABA Standards) to allow placing the forearm to pull door open.

ADDITIONAL INFORMATION

N/A

WARRANTY

One (1) Year from date of Invoice